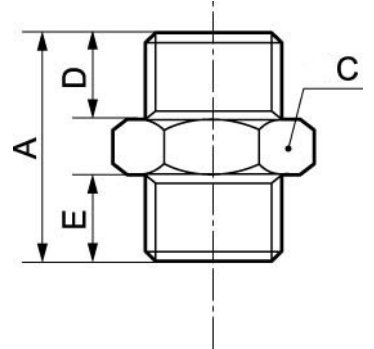


## STAINLESS STEEL FITTINGS 316L

Equal tapered male union



**Min / Max operating pressure**

0 / 25 bar

| Part number | Male thread | Dim. A (mm) | Dim. C (mm) | Dim. D (mm) | Dim. E (mm) |
|-------------|-------------|-------------|-------------|-------------|-------------|
| A1 1818I    | R1/8        | 28          | 13          | 11          | 11          |
| A1 1414I    | R1/4        | 32          | 15          | 13          | 13          |
| A1 3838I    | R3/8        | 37          | 19          | 14          | 14          |
| A1 1212I    | R1/2        | 42          | 22          | 17          | 17          |
| A1 3434I    | R3/4        | 41          | 28          | 17          | 17          |